



**Duo 11 ATEX, 3-phase  
motor, 230/400 V, 50  
Hz | 265/460 V, 60 Hz,  
P3**

 **伯東**  
Hakuto

**PFEIFFER** 

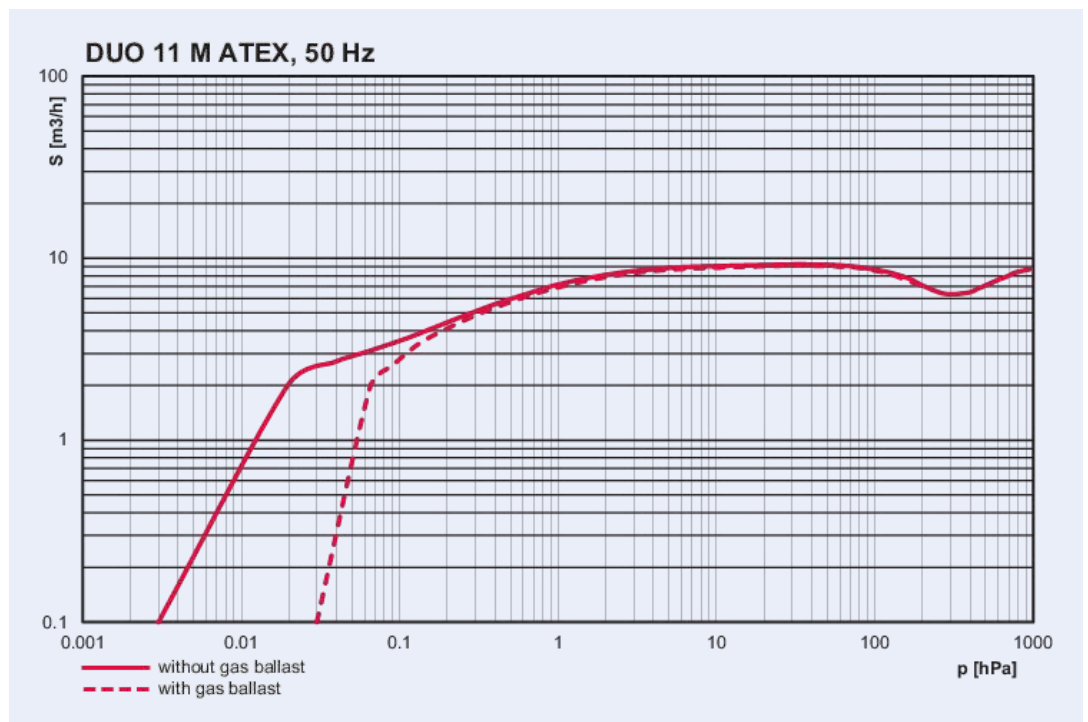


Illustration only

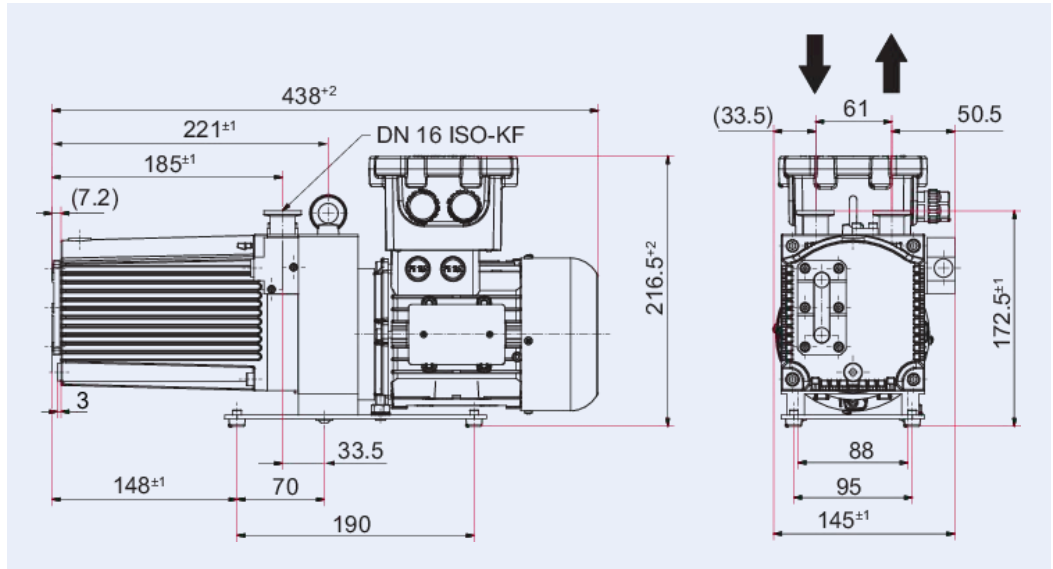
## Duo 11 ATEX, 3-phase motor, 230/400 V, 50 Hz | 265/460 V, 60 Hz, P3

- Two-stage high-performance rotary vane pump with ATEX approval
- Ideal for applications with non-corrosive gases
- Gas ballast and vacuum safety valve integrated
- Maximum safety thanks to magnetic coupling

### Characteristics



## Dimensions



Technical Data	Duo 11 ATEX, 3-phase motor, 230/400 V, 50 Hz   265/460 V, 60 Hz, P3
Connection flange (in)	DN 16 ISO-KF
Connection flange (out)	DN 16 ISO-KF
Pumping speed at 50 Hz	9 m <sup>3</sup> /h   5.2974 cfm   150.003 l/min
Pumping speed at 60 Hz	10.5 m <sup>3</sup> /h   6.18 cfm   175 l/min
Ultimate pressure	3 · 10 <sup>-3</sup> hPa   2.25 · 10 <sup>-3</sup> Torr   3 · 10 <sup>-3</sup> mbar
Ultimate pressure with gas ballast	3 · 10 <sup>-2</sup> hPa   2.25 · 10 <sup>-2</sup> Torr   3 · 10 <sup>-2</sup> mbar
Exhaust pressure, min.	250 hPa   187.5 Torr   250 mbar
Exhaust pressure, max.	1,500 hPa   1,125 Torr   1,500 mbar
Water vapor capacity 50 Hz	65 g/h
Water vapor capacity 60 Hz	84 g/h
Water vapor tolerance at 50 Hz	10 hPa   7.5 Torr   10 mbar
Water vapor tolerance at 60 Hz	11 hPa   8.3 Torr   11 mbar
Rotation speed at 50 Hz	3,000 rpm   3,000 min <sup>-1</sup>
Rotation speed at 60 Hz	3,600 rpm   3,600 min <sup>-1</sup>
Cooling method	Air (Forced convection)
Motor protection	PTC
Motor type	3-phase motor
Ambient temperature	12 – 40 °C
Continuous gas input temperature, max.	40 °C   104 °F   313.2 K
Continuous inlet pressure, max.	50 hPa   37.5 Torr   50 mbar
Emission sound pressure level without gas ballast at 50 Hz	≤56.5 dB(A)
Switch	No
Switch included	No
Input voltage 50 Hz	230 / 400 V
Input voltage 60 Hz	265 / 460 V
Input voltage(s)	230 / 400 V AC, 50 Hz   265 / 460 V AC (±5 %), 60 Hz
Mains cable included	No
Mains cable	No
Gas ballast flow	372 l/h
Gas ballast	Yes
Gas ballast pressure	≤1,200 hPa   ≤900 Torr   ≤1,200 mbar
Operating fluid	P3
Operating fluid amount	0.5 l

	$\leq 1 \cdot 10^{-7}$ mbar l/s
Leakage rate safety valve	$\leq 1 \cdot 10^{-5}$ Pa m <sup>3</sup> /s   $\leq 7.5 \cdot 10^{-5}$ Torr l/s   $\leq 1 \cdot 10^{-4}$ mbar l/s
Dimensions (L x W x H)	440 x 146 x 219 mm
Input voltage: tolerance	±5 %
Rated power 50 Hz	0.25 kW
Rated power 60 Hz	0.3 kW
Protection degree	IP66
Certification	CE
ATEX-certification	II 3/3G Ex h IIC T3 Gc X
Magnetic coupling	Yes

<b>Order number</b>	<b>Duo 11 ATEX, 3-phase motor, 230/400 V, 50 Hz   265/460 V, 60 Hz, P3</b>
Duo 11 ATEX, 3-phase motor, 230/400 V, 50 Hz   265/460 V, 60 Hz, P3	PK D59 905 D

<b>Accessories</b>	<b>Duo 11 ATEX, 3-phase motor, 230/400 V, 50 Hz   265/460 V, 60 Hz, P3</b>
Special gasballast valve for DUO 1,6 - DUO 11	PK E09 002 -T
Pumping system for Duo 11 ATEX Cat. 3G, prepared for P3, tested	PK E03 034 CT
Maintenance kit, level I, for Duo 1.6 - 11, Uno 6	PK E01 050 CT



伯东企业（上海）有限公司  
HAKUTO ENTERPRISES (SHANGHAI) LTD.  
TEL: (86) 21-5046 3511

## 上海伯东 -- 您理想的真空合作伙伴！

伯东公司成立于 1953 年，外企上市企业，全球范围内有一千七百名员工，集团年营业额约为 100亿人民币。

伯东公司在国内主要城市：上海，北京，苏州，广州，深圳，成都及厦门设有营业据点。

上海伯东真空产品事业部已累计为超过 10,000 家企业提供真空服务

**我们致力于追求高品质的服务，为您提供一流的服务及一流产品：**

**品质保障：**国际知名品牌指定授权代理商，所有产品及部件保证 100% 原厂原装进口

**现货交期快：**部分产品有现货，下单立即发货（现货数量有限，实际情况请联系销售工程师）

**卓越维修能力：**伯东工程师拥有10年以上维修经验，且受国外专业培训，拥有完全的拆解，维修，校正能力。

**完美服务质量：**原装进口检测设备全方位寻找问题症结及全方面的性能测试，确保完美的服务质量



伯东企业（上海）有限公司 销售及售后服务中心

上海浦东新区新金桥路1888号36号楼7楼702室

电话：+86-21-5046-3511 / 139-1883-7267

传真：+86-21-5046-1490

官网：<http://www.hakuto-vacuum.cn>

